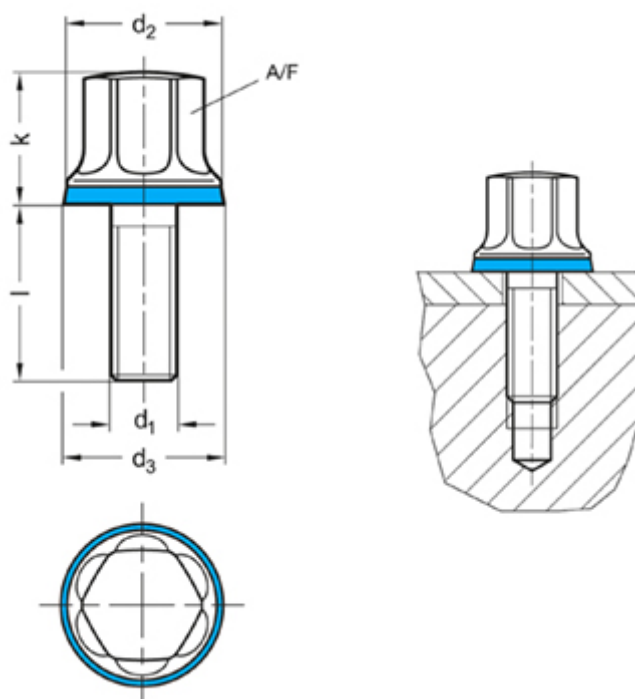


Article number: 201580M1030MT

Description: E+G Screw GN 1580-M10-30-MT-H  
Hygienic design

## Measures



|               |        |
|---------------|--------|
| d1            | = M 10 |
| d2            | = 21   |
| d3            | = 21.8 |
| k             | = 18   |
| L             | = 30   |
| t min         | = -    |
| Weight in (g) | = 50   |